

WS 440 HF

Reservdelar

Spare parts

Ersatzteile

Pieces de rechange

Piezas de repuesto

Ricambi

Peças sobresselente

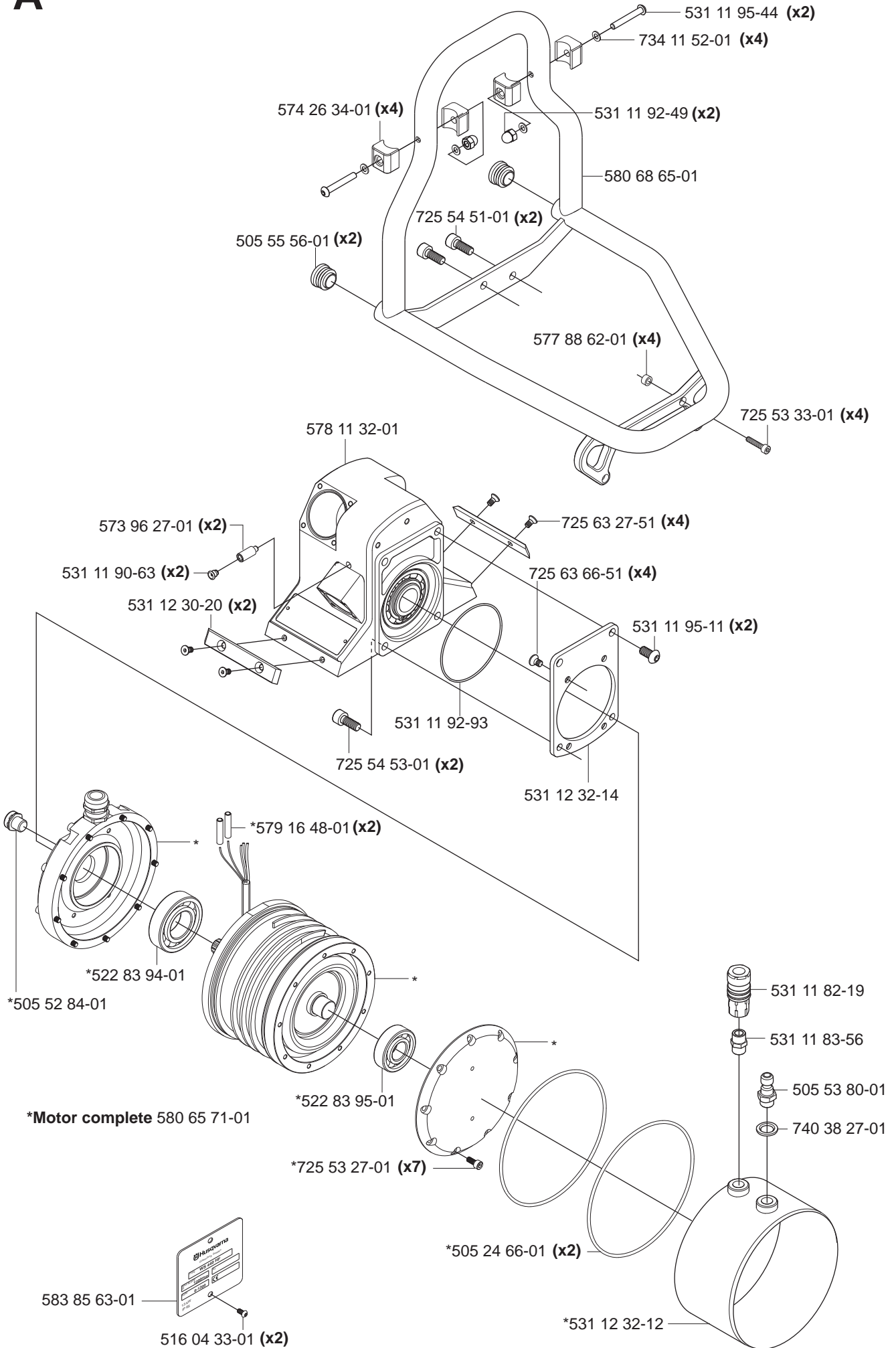
No.	Pos.	Description	No.	Pos.	Description
501 37 52-01	P	Tool kit	531 11 32-71	D	Clutch trackfeeding complete
504 10 02-01	J	Scale, angle	531 11 73-20	B	Contact pin 2,5mm <sup>2</sup>
504 90 83-26	G	Cylindrical pin	531 11 81-13	E	Magnetic plug
504 90 94-14	"L1-2M1-2 N2-3"	Screw	531 11 82-18	FQ	Quick coupling, male 13411
505 11 29-01	K	Mount	531 11 82-19	AQ	Quick coupling, female 1300
505 11 30-01	K	Excentric	531 11 83-05	Q	Banjo screw
505 11 31-01	K	Handle bracket	531 11 83-18	Q	Waterhose black 1/2
505 11 33-01	K	Beam	531 11 83-25	Q	Hose nipple 1312
505 11 34-01	K	Snap locking	531 11 83-56	A	Adaptor 1/4"-1/4"
505 11 35-01	K	Hook	531 11 90-15	Q	Hose clamp 15-24
505 11 38-01	K	Handle	531 11 90-39	D	Bearing washer AS 3552
505 11 39-01	K	Shaft seat	531 11 90-42	D	Bearing AXK 3552
505 11 40-01	K	Spring	531 11 90-63	A	Grease nipple
505 11 53-01	Q	Hose	531 11 90-65	P	Wrench 18 mm
505 11 65-01	E	Pivoting arm complete	531 11 90-80	N1,3	Lock
505 12 59-01	G	Rocker lever	531 11 91-08	P	Grease gun
505 12 60-01	G	Spring	531 11 91-46	C	Bearing washer
505 14 35-01	A	Type plate	531 11 91-49	C	Bearing AXK 1024
505 18 64-01	K	Parallell pin	531 11 91-50	C	Bearing
505 18 65-01	K	Screw	531 11 91-52	H	Rubber plug GL16
505 18 66-01	K	Stop screw	531 11 91-55	C	Bearing NK 19/16
505 21 63-01	F	Radial seal 60x72x4	531 11 91-58	C	Shim 23.35x1
505 21 82-01	Q	Hose 1m	531 11 91-81	K	Washer 10.5x22
505 21 83-01	Q	Hose 8m	531 11 91-83	EHJ	Washer 13x24x2
505 21 84-01	Q	Hose	531 11 92-02	FH	Screw M6S 12x25
505 22 69-03	G	Carriage WS 400	531 11 92-03	HJ	Screw M6S 12x30
505 24 66-01	A	O-ring	531 11 92-28	C	Screw MC6S 5x14
505 24 70-01	B	Shackle	531 11 92-35	H	Screw MC6S 8x14
505 25 52-01	G	Paralel pin 4x32	531 11 91-49	A	Nut M6 cap
505 25 54-01	C	Gear box depth feed ASSY	531 11 92-74	E	O-ring 29,2x3
505 25 55-01	C	Gear box track feed ASSY	531 11 92-77	C	O-ring 31,4x1,6
505 50 58-01	B	Drain plug	531 11 92-82	C	O-ring 44,17x1,78
505 52 84-01	A	Ventilating valve	531 11 92-93	A	O-ring 80x1,6
505 52 89-01	B	Frame	531 11 93-02	C	Key 4x4x16
505 52 92-01	B	Contact housing	531 11 93-50	H	Screw MF6S 4x12 12.9
505 53 80-01	A	Quick coupling	531 11 93-60	E	O-ring 133,0x1,78
505 53 81-01	B	Console 3-pin	531 11 93-64	EJ	Spring 2547
505 53 86-01	C	Motor	531 11 93-70	B	O-ring 39,2x1,6
505 53 89-01	E	Bearing 608-2RSL	531 11 93-75	D	X-Ring 114,0x1,78
505 53 90-01	E	Bearing 61905-2RZ	531 11 93-76	D	O-Ring 94,97x1,78
505 55 56-01	A	Plastic plug	531 11 93-89	G	Screw MLC6S 5x10
506 06 85-01	E	Screw	531 11 94-20	J	O-ring 40x2
510 00 71-01	C	Cup spring	531 11 94-26	G	Screw K6S 6x16 10.9 fzb
510 11 15-01	K	Handle holder	531 11 94-39	D	Bearing HK 3520
516 04 33-01	A	Screw K6S 5x6	531 11 94-40	D	Bearing washer AS 5070
522 52 62-02	E	Medial gear	531 11 94-43	D	Bearing 16007
522 52 63-01	E	Medial shaft	531 11 94-46	C	Bearing washer AS 1528
522 52 64-01	E	Interlayer	531 11 94-51	E	O-ring 74,5x3
522 72 01-01	E	Gasket	531 11 94-53	G	Levell
522 82 77-01	P	Husqvarna oil 220 0,3 l	531 11 94-54	G	Spring
522 83 94-01	A	Bearing	531 11 94-56	H	Turning knob
522 83 95-01	A	Bearing	531 11 95-00	D	O-ring 61x1,6
522 93 07-01	B	Module 6-pin	531 11 95-04	D	O-ring 71,12x2,62
522 93 08-01	B	Contact pin 0,75mm <sup>2</sup>	531 11 95-11	A	Screw K6S 8x16 10.9 fzb
525 45 52-01	P	Allen key set	531 11 95-17	F	Plug for M8
529 28 14-01	E	Bearing cage	531 11 95-24	N1,3	Screw
529 28 11-01	E	Lid	531 11 95-31	P	Water level to toolkit
529 28 12-01	E	Cover plate	531 11 95-32	P	Ratchet wrench to toolkit
529 28 17-01	E	Cover	531 11 95-33	P	Wrench 16mm to toolkit
529 28 20-02	E	Stub gear	531 11 95-34	P	Socket 18mm to toolkit
531 11 30-45	H	Track section 1,2 m	531 11 95-41	P	Socket 19mm to toolkit
531 11 30-46	H	Track section 2,0 m	531 11 95-44	A	Screw K6S 6x50
531 11 30-47	H	Track section 2,2 m	531 11 95-46	N1,3	Pin screw
531 11 32-00	J	Mounting bracket universal	531 11 95-53	Q	Cleaning brush
531 11 32-46	H	Mounting bracket WS 400	531 11 95-79	C	Screw
531 11 32-47	H	Coupling link compl.	531 11 95-86	J	Screw MRX M3x5
531 11 32-48	H	Track holder compl.	531 11 95-88	G	Seeger circlip SGA 11
531 11 32-65	J	Measure rod compl.WS 400	531 11 95-89	K	Screw K6S 6x20 10.9 fzb
531 11 32-68	Q	Cleaning brush with hose	531 11 95-93	F	Plug for M10
			531 11 96-01	E	Shaft seal 25x35x7

No.	Pos.	Description	No.	Pos.	Description
531 12 20-27	H	Gear rack 2,0m	574 43 13-01	F	Hub
531 12 20-28	H	Gear rack 1,2m	574 43 55-01	F	Water block
531 12 20-34	C	Thrust journal	574 44 39-01	E	Ring
531 12 20-43	H	Guide track section 2,0m	574 45 20-01	E	Bearing 16013
531 12 20-44	H	Guide track section 1,2m	574 45 21-01	E	Bearing 16011
531 12 20-49	E	Sealing plug	574 45 22-01	E	Radial seal
531 12 20-70	H	Safety stop	574 45 23-01	F	Radial seal 50x62x5
531 12 21-18	H	Clamping washer	574 45 24-01	E	O-ring 45x1,6
531 12 21-24	H	Gear rack 2,2 m	574 45 25-01	DF	O-ring 75x2
531 12 21-25	H	Guide track section 2,2 m	574 45 26-01	E	O-ring 91,7x1,78
531 12 21-68	M1N2	Block	574 45 27-01	F	Bearing
531 12 21-69	M1N2	Block	574 45 29-01	BE	O-ring 110,7x1,78
531 12 21-82	K	Guide wheel shaft, upper	574 45 30-01	E	O-ring 56,87x2,62
531 12 21-83	K	Wheel	574 45 32-01	E	Lock ring
531 12 22-80	D	Friction plate pivoting arm	574 61 87-01	D	Arm shaft
531 12 23-38	K	Spacer	574 61 97-01	D	Key 6x6x14
531 12 23-57	J	Friction plate	574 82 95-01	F	Blade flange compl.
531 12 23-58	K	Guide wheel shaft, lower	574 82 95-02	F	Blade flange 60mm compl.
531 12 24-54	J	Mounting bracket	574 82 95-03	F	Blade flange 130 compl.
531 12 24-55	J	Shaft	575 25 82-01	E	Pivoting arm
531 12 24-56	J	Link to spring-holder	575 33 54-01	B	Cover
531 12 24-57	J	Track-holder	575 39 41-01	B	Gasket
531 12 24-58	J	Clamping-plate	576 65 89-01	J	Support screw
531 12 24-59	J	Clamping-plate, nut	577 41 35-01	N3	Guide section flush Right cpl.
531 12 24-60	J	Brake plate	577 44 55-01	N1,3	Guide rail
531 12 30-09	G	Handle	577 48 48-01	"L1-2M1-2 N2-3"	Hitch
531 12 30-10	G	Bar	577 48 49-01	"L1-2M1-2 N2-3"	Hitch
531 12 30-11	G	Excentric locking shaft	577 48 53-01	L1M1N1	Turning knob
531 12 30-12	G	Locking clamp	577 48 56-01	L1M1N1	Washer
531 12 30-13	G	Sprint	577 53 16-01	F	Stop washer
531 12 30-15	G	Feeding shaft	577 53 22-01	F	Flange, inner
531 12 30-16	G	Shaft holder	577 53 28-01	F	Flange, inner 130
531 12 30-17	G	Transfer gear	577 53 29-01	F	Screw MC6S 2,5x5
531 12 30-20	A	Wear plate	577 61 29-01	L1M1N2	Link
531 12 30-21	D	Feeding gear, arm	577 61 30-01	"L1-2M1-2 N2-3"	Link
531 12 30-22	D	Feeding gear, track	577 61 31-01	"L1-2M1-2 N2-3"	Link
531 12 30-23	D	Longitudinal feeding gear	577 61 36-01	L1	End cover
531 12 30-25	D	Cup spring	577 61 37-01	M1	End cover
531 12 30-26	D	Friction plate	577 61 38-01	N2	End cover
531 12 30-28	C	Feeding screw	577 61 40-01	L1M1N1	Spray guard
531 12 30-33	F	Flange, outer	577 65 97-01	L1	Bladeguard 800
531 12 30-35	E	Blade shaft	577 65 98-01	L1	Centre section 800 complete
531 12 30-40	D	Clutch plate	577 66 00-01	L1	Gable section 800 complete
531 12 30-48	F	60mm bushing	577 66 01-01	M1	Bladeguard 1000
531 12 30-51	F	Plate for hub	577 66 02-01	M1	Centre section complete
531 12 30-55	C	Cover plate	577 66 03-01	M1	Gable section complete
531 12 30-57	F	Water connection	577 66 04-01	N1	Bladeguard 1200
531 12 30-63	"L1-2M1-2 N1,3"	Rail for bladeguard	577 66 05-01	N1	Centre section 1200 compl.
531 12 30-65	K	Holder	577 66 07-01	N1	Gable section right 1200 cpl
531 12 30-66	K	Cover	577 66 09-01	N1	Gable section left 1200 cpl
531 12 30-70	K	Handle	577 69 92-01	"L1-2M1-2 N1,3"	Rail Fixture
531 12 30-71	K	Excentric shaft	577 69 93-01	"L1-2M1-2 N1,3"	Rail Fixture
531 12 30-75	H	Track holder	577 71 08-01	"L1-2M1-2 N2-3"	Guide bar
531 12 30-76	H	Clamping plate	577 74 23-01	L2	Bladeguard flush 800
531 12 30-95	F	Water hose	577 74 24-01	M2	Bladeguard flush 1000
531 12 30-96	H	Coupling link	577 74 25-01	N3	Bladeguard flush 1200 compl.
531 12 30-97	H	Clamping washer	577 74 27-01	L2	Centre section 800 flush cpl.
531 12 31-69	N1,3	Clamp	577 74 28-01	L2	Gable section flush Left cpl.
531 12 32-12	A	Outer tube	577 74 29-01	L2	Gable section flush Right cpl.
531 12 32-14	A	Mounting plate	577 74 30-01	M2	Gable section flush Left cpl.
531 12 32-27	C	Input shaft	577 74 32-01	M2	Gable section flush Right cpl.
531 12 32-34	C	Sun gear 166	577 74 33-01	N3	Centre sect. 1200 flush cpl.
531 12 32-36	C	Output sun gear 166	577 74 34-01	N3	Gable section flush Left cpl.
531 12 32-65	E	Input shaft			
531 12 32-70	E	Back cover			
541 40 49-09	"L1-2M1-2 N1,3"	Handle			
573 96 27-01	A	Spacer			
574 26 34-01	A	Spacing sleeve			

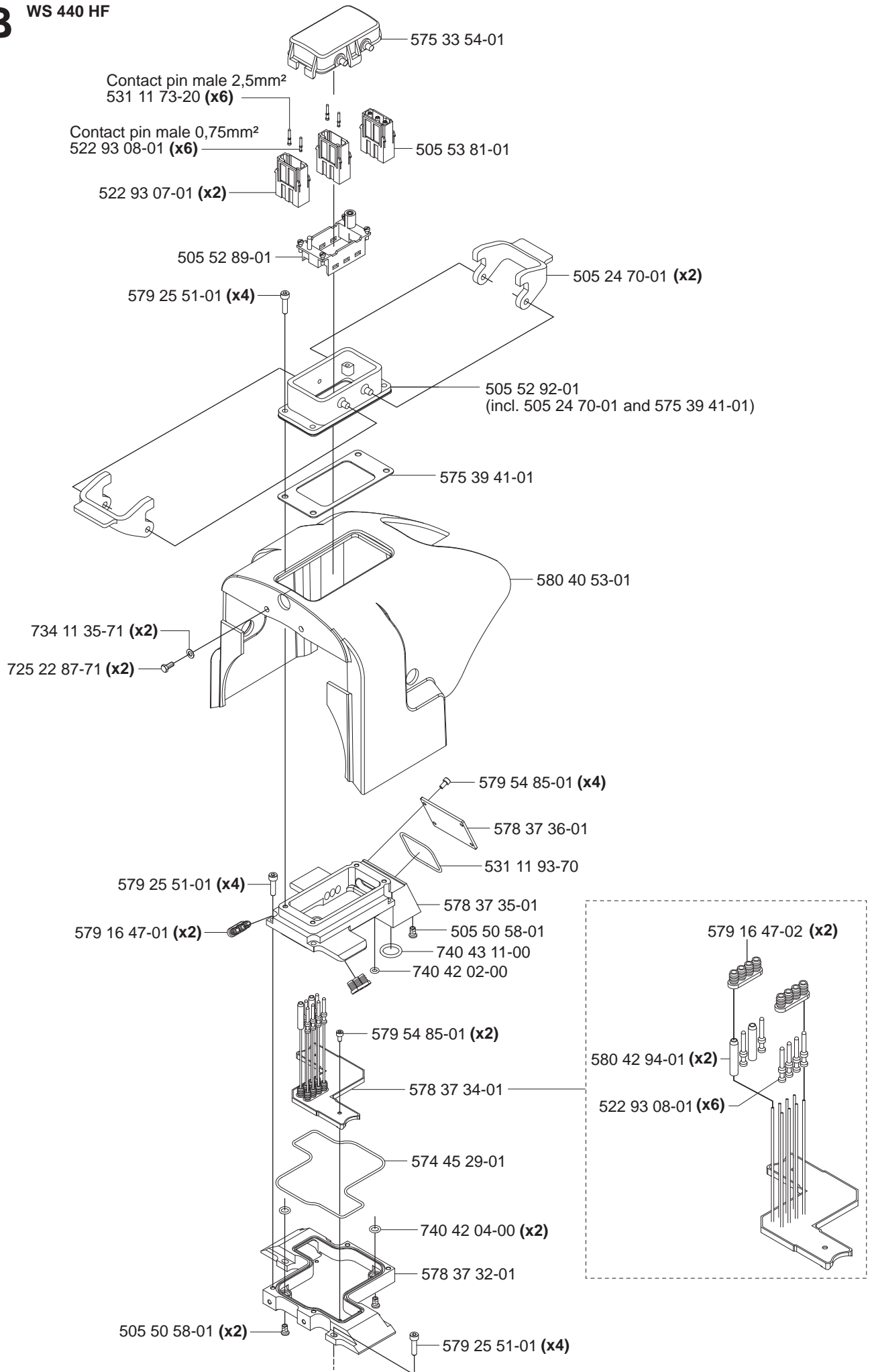
No.	Pos.	Description	No.	Pos.	Description
577 74 40-01	L2	End Cover	580 65 71-01	A	Motor ASSY
577 74 41-01	L2	End Cover	580 67 76-01	K	Guide wheel fixed
577 74 42-01	M2	End Cover	580 67 76-02	K	Guide wheel adjustable
577 74 43-01	M2	End Cover	580 67 77-01	K	Blade guard guide
577 74 44-01	N3	End cover	580 67 79-01	E	Blade shaft ASSY
577 74 45-01	N3	End cover	580 68 12-01	L1	Centre section 800
577 74 48-01	L2M2N3	Holder	580 68 12-02	M1M2	Centre section 1000
577 74 50-01	L2M2N3	U-list centre	580 68 12-03	N1	Centre section 1200
577 74 51-03	L2	U-list gable left 800	580 68 13-01	L1	Gable section 800
577 74 51-04	M2	U-list gable left 1000	580 68 13-02	M1	Gable section 1000
577 74 51-05	N3	U-list gable left 1200	580 68 13-03	N1	Gable section right 1200
577 74 52-03	L2	U-list gable right 800	580 68 13-04	N1	Gable section left 1200
577 74 52-04	M2	U-list gable right 1000	580 68 18-01	L2M2N3	Knob
577 74 52-05	N3	U-list gable right 1200	580 68 65-01	A	Saw handle WS 440 HF
577 88 62-01	A	Spacer	580 68 76-01	N1,3	Bracket
577 90 30-01	M2	Centre section 1000 flush cpl.	580 68 76-02	N1,3	Angle bracket
578 11 32-01	A	Housing	580 90 22-01	N1,3	Bar
578 37 31-01	C	Motor housing	580 95 79-01	L1M3N2	Gasket
578 37 32-01	B	Electronic box	580 96 45-01	L1M1N1	V-ring
578 37 34-01	B	Motor interface board WS440	580 96 46-01	L1M1N1	Plug
578 37 35-01	B	Cable cover	580 97 65-01	N1,3	Hook
578 37 36-01	B	Sealing plate	581 00 61-01	N1,3	Support bar assy
578 84 82-01	G	Plate	581 08 40-01	D	Ball
578 84 83-01	G	Holder	581 28 51-01	"L1-2M1-2 N2-3"	Rivet
578 84 84-01	G	Holder	581 78 37-01	C	Gear box depth feed ASSY
578 84 85-01	G	Block	581 78 38-01	C	Gear box track feed ASSY
578 98 77-01	"L1-2M1-2 N1-3"	Rivet	583 85 63-01	A	Type plate
579 16 47-01	B	Sealing plug 3-pole	720 12 71-50	G	Cylindrical pin 4x18
579 16 47-02	B	Sealing plug 4-pole	720 13 08-50	G	Cylindrical pin 5x16
579 16 48-01	A	Contact pin	720 13 51-50	E	Cylindrical pin 6x16
579 25 51-01	B	Screw MC6S 4x16	720 13 52-51	H	Cylindrical pin 6x18
579 43 67-01	"L1-2M1-2 N1,3"	Guide	720 13 53-50	J	Cylindrical pin 6x20
579 52 07-01	N1,3	Hook	720 13 65-51	J	Cylindrical pin 6x50
579 53 17-01	L1M1N1	Cone	723 51 93-51	C	Screw MFS 2,5x8
579 54 85-01	BC	Screw MC6S 3x6	723 53 66-51	F	Screw MFS 6x12
579 56 58-01	"L1-2M1-2 N1,3"	Screw MF6S 6x16 Bluepatch	723 53 66-51	F	Screw MFS 6x12
579 56 59-01	"L1-2M1-2 N1,3"	Screw MC6S 6x10 Bluepatch	725 22 87-71	B	Screw M6S 4x8
579 56 60-01	"L1-2M1-2 N2-3"	Screw MK6S 6x10 Bluepatch	725 25 43-51	H	Screw M6S 12x55
579 56 61-01	"L1-2M1-2 N1,3"	Screw MK6S 8x12 Bluepatch	725 25 44-91	E	Screw M6S 12x60
579 56 62-01	N1,3	Screw	725 25 56-51	J	Screw M6S 12x120
580 26 20-01	L1M1N1	Screw	725 52 89-01	E	Screw MC6S 4x10
580 26 21-01	L1M1N1	Nut	725 53 27-01	A	Screw MC6S 5x12
580 26 22-01	L1M1N1	Hook	725 53 29-01	E	Screw MC6S M5x16
580 32 33-01	"L1-2M1-2 N1,3"	Guide	725 53 31-01	C	Screw MC6S 5x20
580 32 73-01	L1M1N1	Screw MF6S 4x10 Bluepatch	725 53 33-01	A	Screw MC6S 5x25
580 32 74-01	L1M1N1	Pin CPK 2x10 DIN6325	725 53 41-01	K	Screw MC6S 5x50
580 39 62-01	G	Locking pin	725 53 62-01	K	Screw MC6S 6x8
580 40 53-01	B	Cover WS 440 HF	725 53 64-01	H	Screw MC6S M6x10
580 41 24-01	D	O-ring 71x4,5	725 53 68-01	GK	Screw MC6S 6x16
580 41 59-01	D	Bearing	725 53 70-01	G	Screw MC6S 6x20
580 42 49-02	D	Nut incl. O-ring	725 54 51-01	A	Screw MC6S 8x20
580 42 94-01	B	Contact pin	725 54 53-01	AG	Screw MC6S 8x25
580 43 28-01	G	Bearing	725 54 64-01	E	Screw MC6S 8x65
580 43 29-01	K	Bearing	725 54 93-01	G	Screw MC6S 10x25
580 44 81-01	G	Guide wheel concentric cpl.	725 62 87-01	E	Screw MF6S 4x8
580 44 82-01	G	Guide wheel excentric cpl.	725 63 27-51	AFK	Screw MF6S 5x12 10.9
580 44 83-01	G	Sleeve	725 63 28-51	N1,3	Screw MF6S 5x14 10.9
580 49 93-01	C	Shrinkage hose	725 63 30-51	K	Screw MF6S 5x16 10.9
580 62 50-01	C	Track feeding motor compl.	725 63 66-51	A	Screw MF6S 6x12 10.9
580 62 51-01	C	Depth feeding motor compl.	725 63 68-51	EK	Screw MF6S 6x16 10.9
580 63 78-01	E	Clutch gear assy	725 63 70-51	FKM1N2	Screw MF6S 6x20 10.9
580 64 54-01	L1M1N1	Knob assy	725 64 47-51	F	Screw MF6S 8x12 10.9 fzb
580 65 23-01	E	Pivoting arm complete	725 64 89-51	F	Screw MF6S 10x16 10.9
			728 72 89-05	D	Stop screw S6SS 4x10
			728 83 27-05	J	Stop screw SK6SS 5x12
			728 83 64-05	G	Stop screw SK6SS 6x10
			731 43 20-01	KN1,3	Nut M10 low
			732 25 14-01	K	Nut M5 Nylock
			732 25 16-01	M1N2	Nut

No.	Pos.	Description	No.	Pos.	Description
732 25 22-71	EJ	Nut M12 Nylock 10.9			
734 11 35-71	BG	Washer 4.3x8			
734 11 52-01	AM1N2	Washer 6.4x12			
734 11 63-01	EH	Washer 8.4x16			
735 31 28-10	G	Seeger circlip			
735 31 33-00	D	Seeger circlip SGA 35			
735 31 33-10	K	Seeger circlip SGH 35			
740 38 27-01	AFQ	Sealing ring 1/4			
740 42 02-00	B	O-ring 4,1x1,6			
740 42 04-00	B	O-ring 6,4x1,6			
740 42 07-00	F	O-ring 9,1x1,6			
740 43 07-00	H	O-ring 9,3x2,4			
740 43 11-00	BE	O-ring 13,3x2,4			
740 44 05-00	F	O-ring 22,2x3			

**A** WS 440 HF

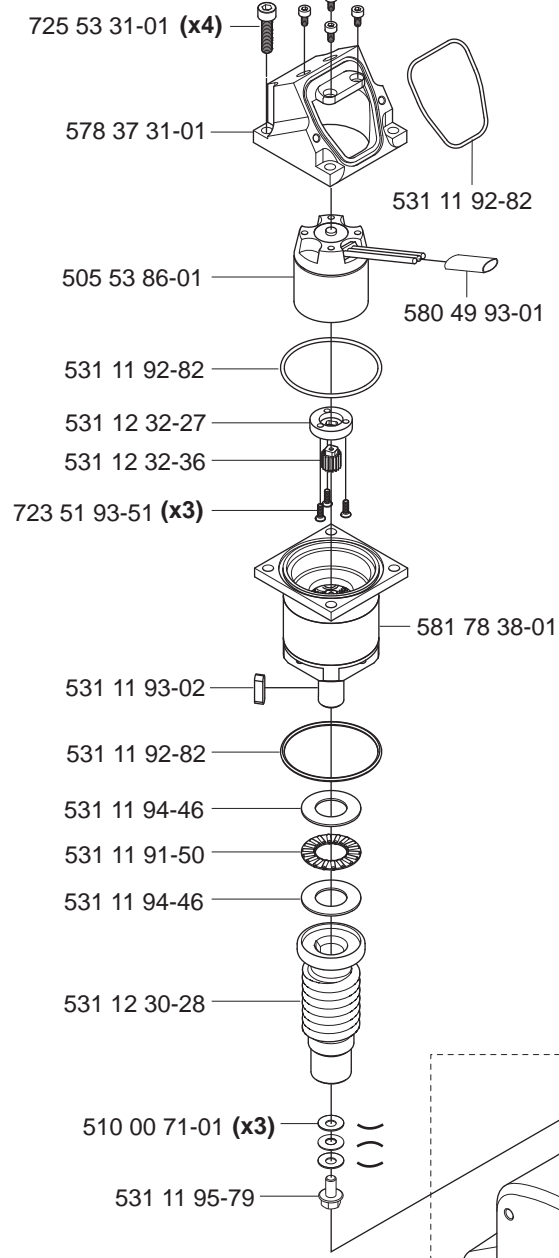


# B WS 440 HF

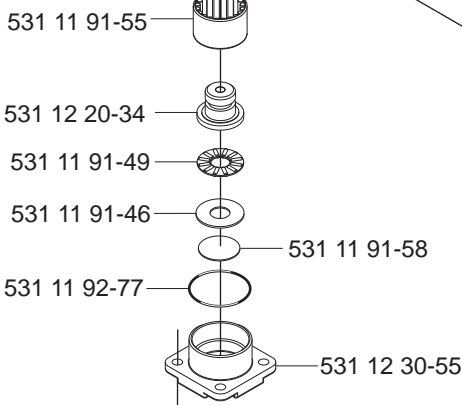
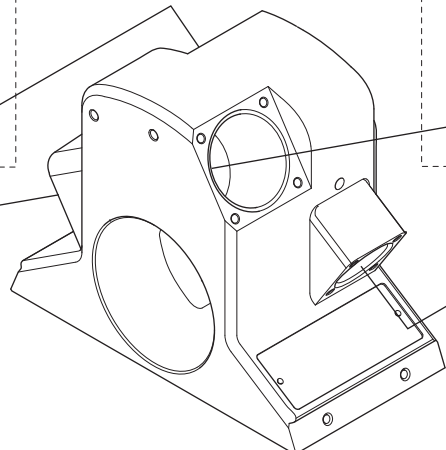
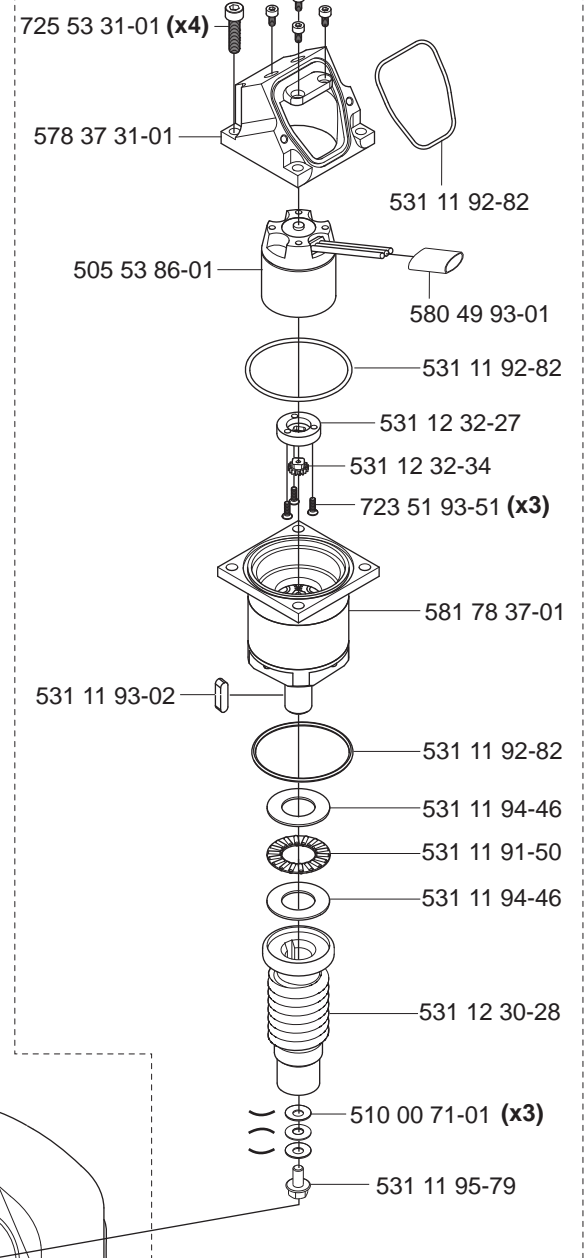


**C** WS 440 HF

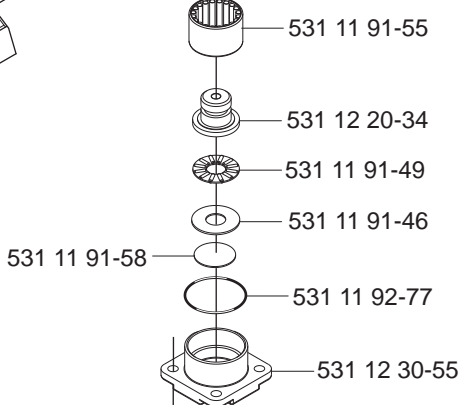
**Track feeding motor compl. 580 62 50-01**



**579 54 85-01 (x4) Arm feeding motor compl. 580 62 51-01**



531 11 92-28 (x4)



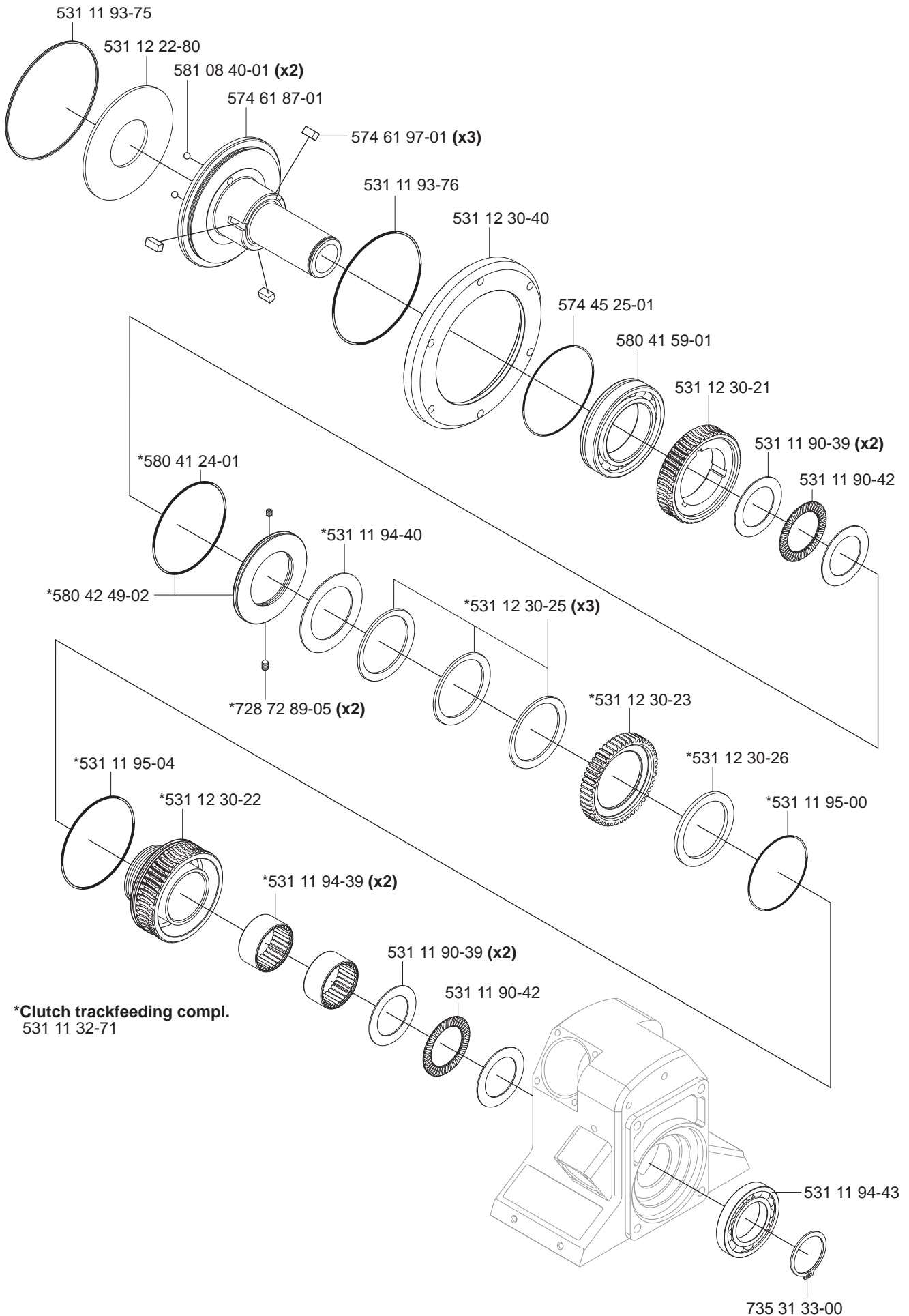
531 11 92-28 (x4)



**D**

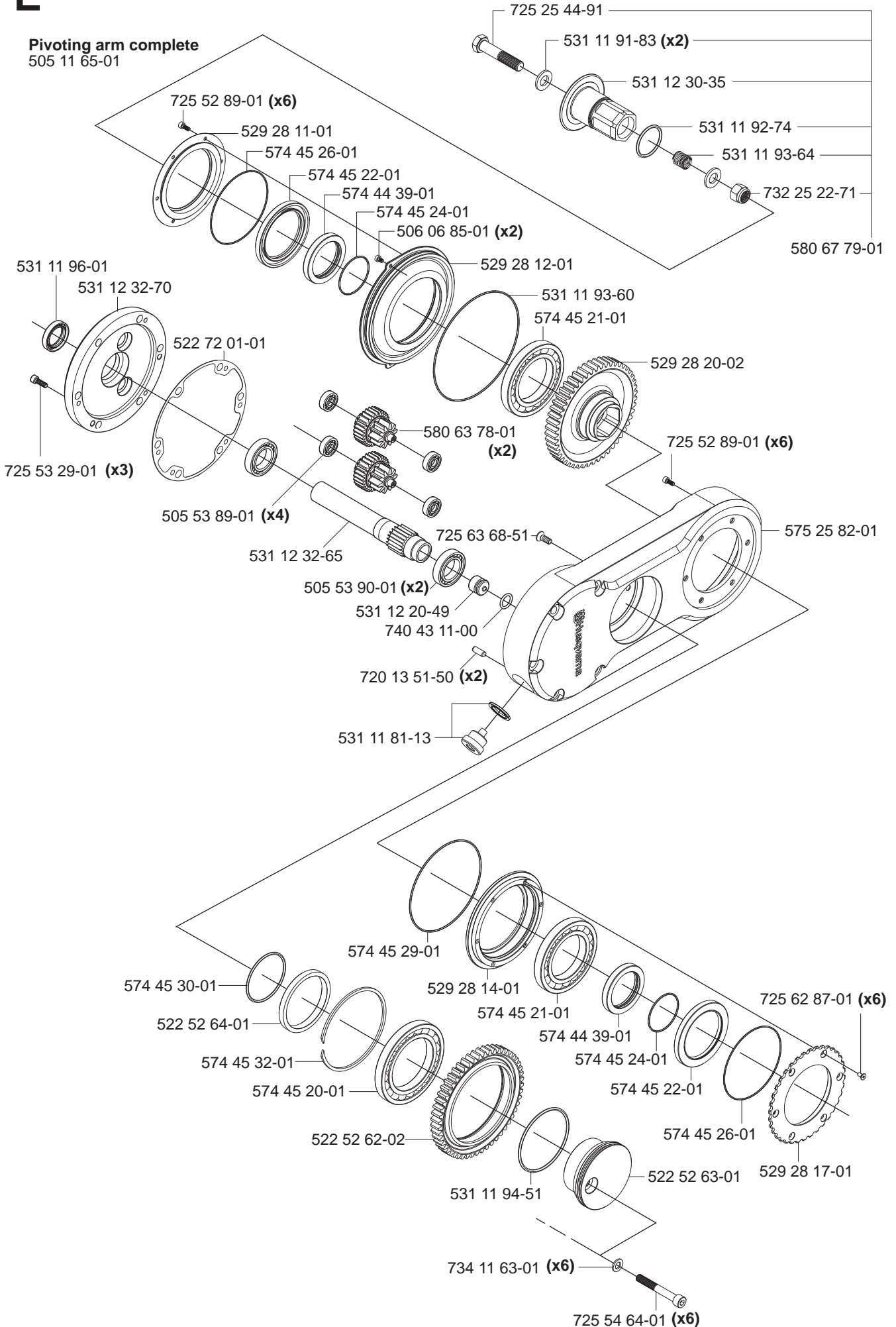
WS 440 HF

## Feed motor slip clutches



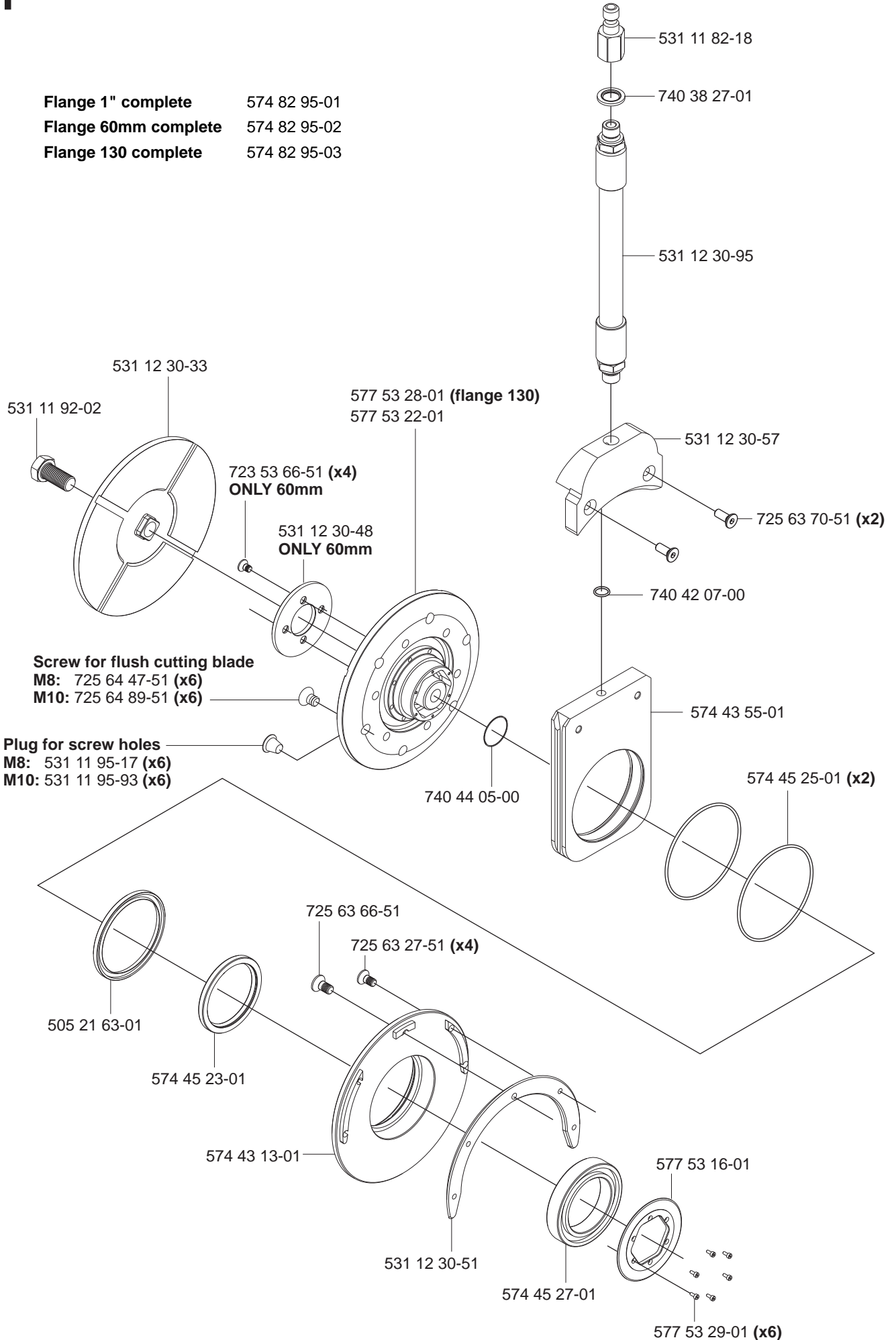
**E** WS 440 HF

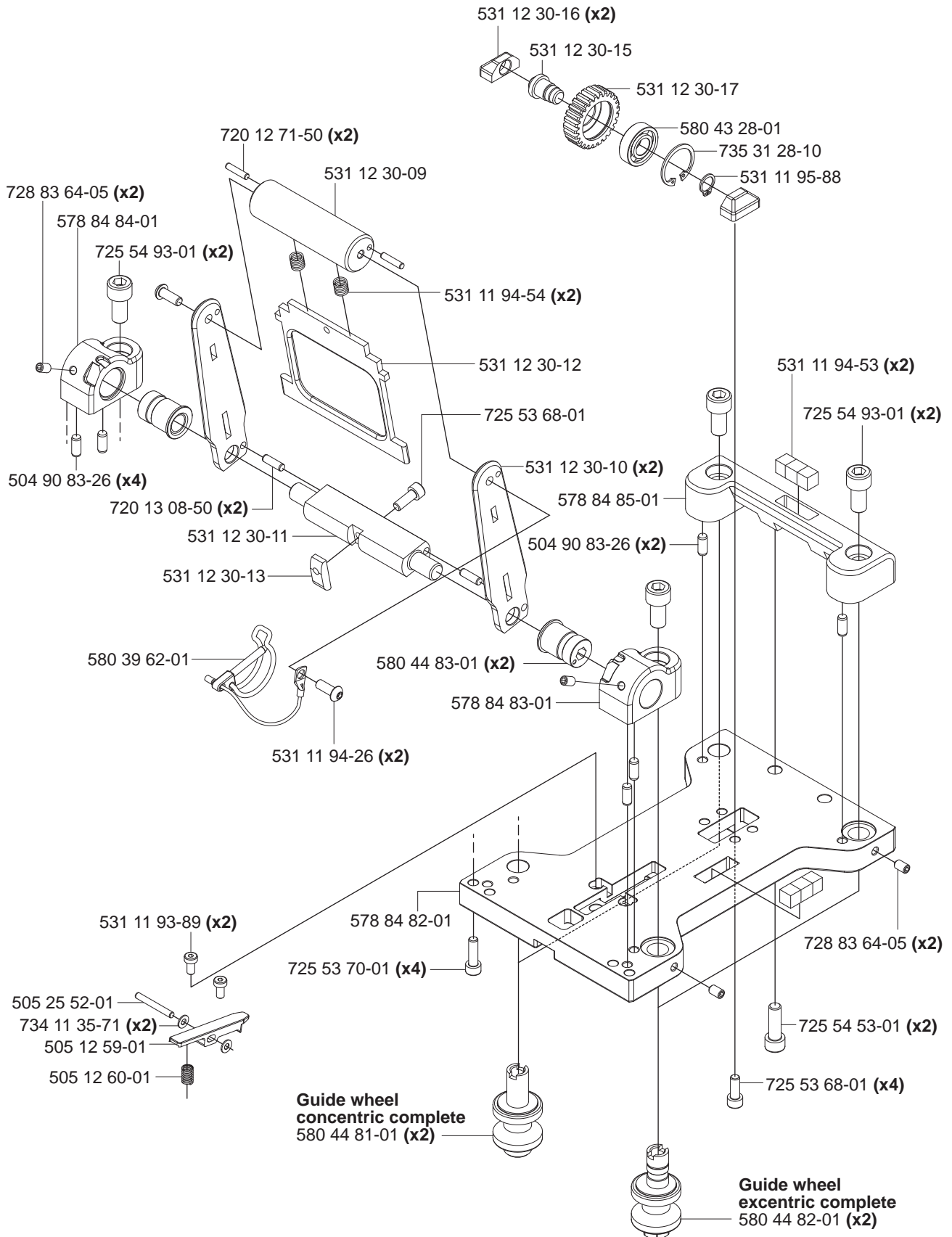
**Pivoting arm complete**  
505 11 65-01



**F** WS 440 HF

- Flange 1" complete** 574 82 95-01
- Flange 60mm complete** 574 82 95-02
- Flange 130 complete** 574 82 95-03



**G**

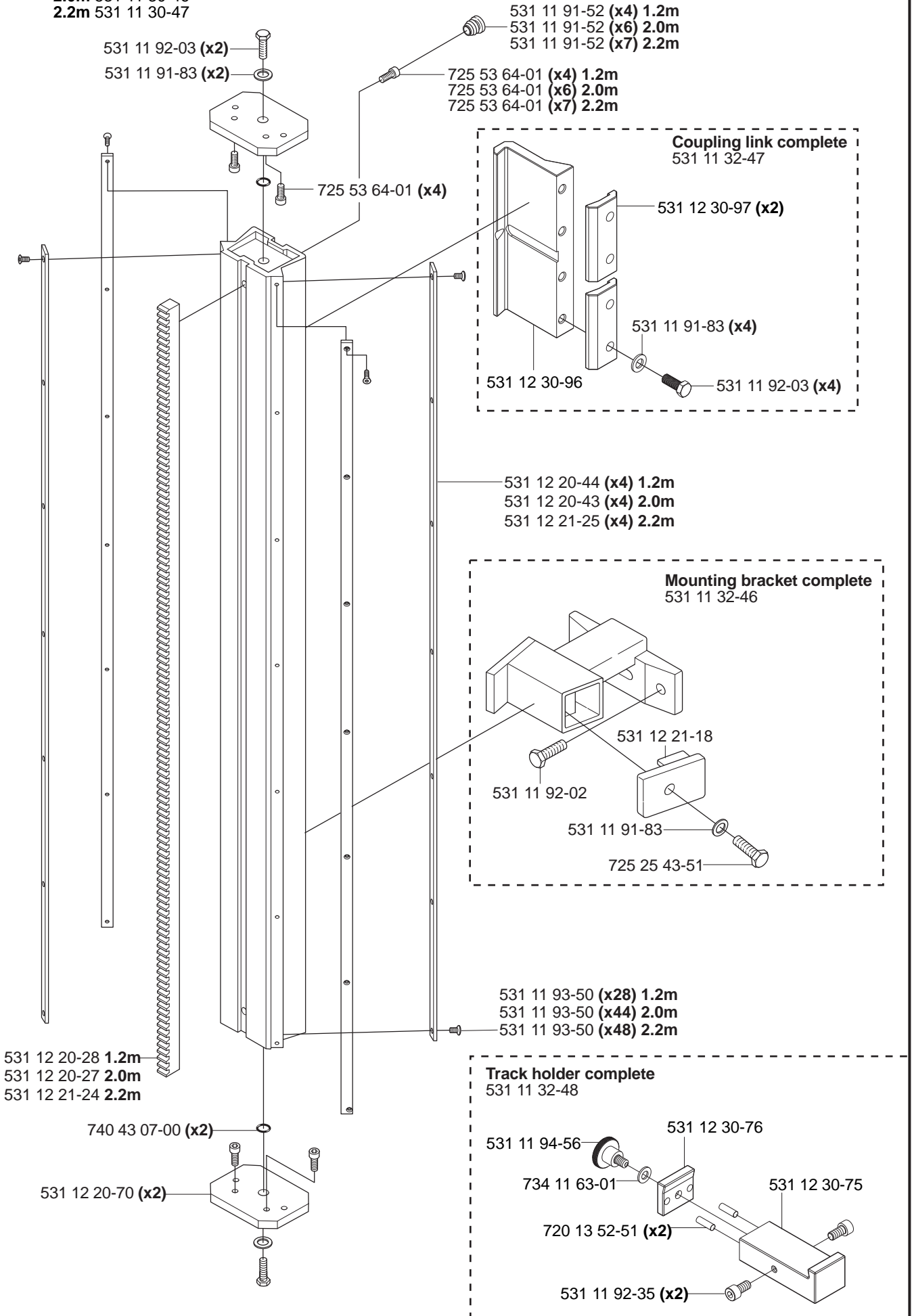
# H WS 440 HF

## Track 400 complete

1.2m 531 11 30-45

2.0m 531 11 30-46

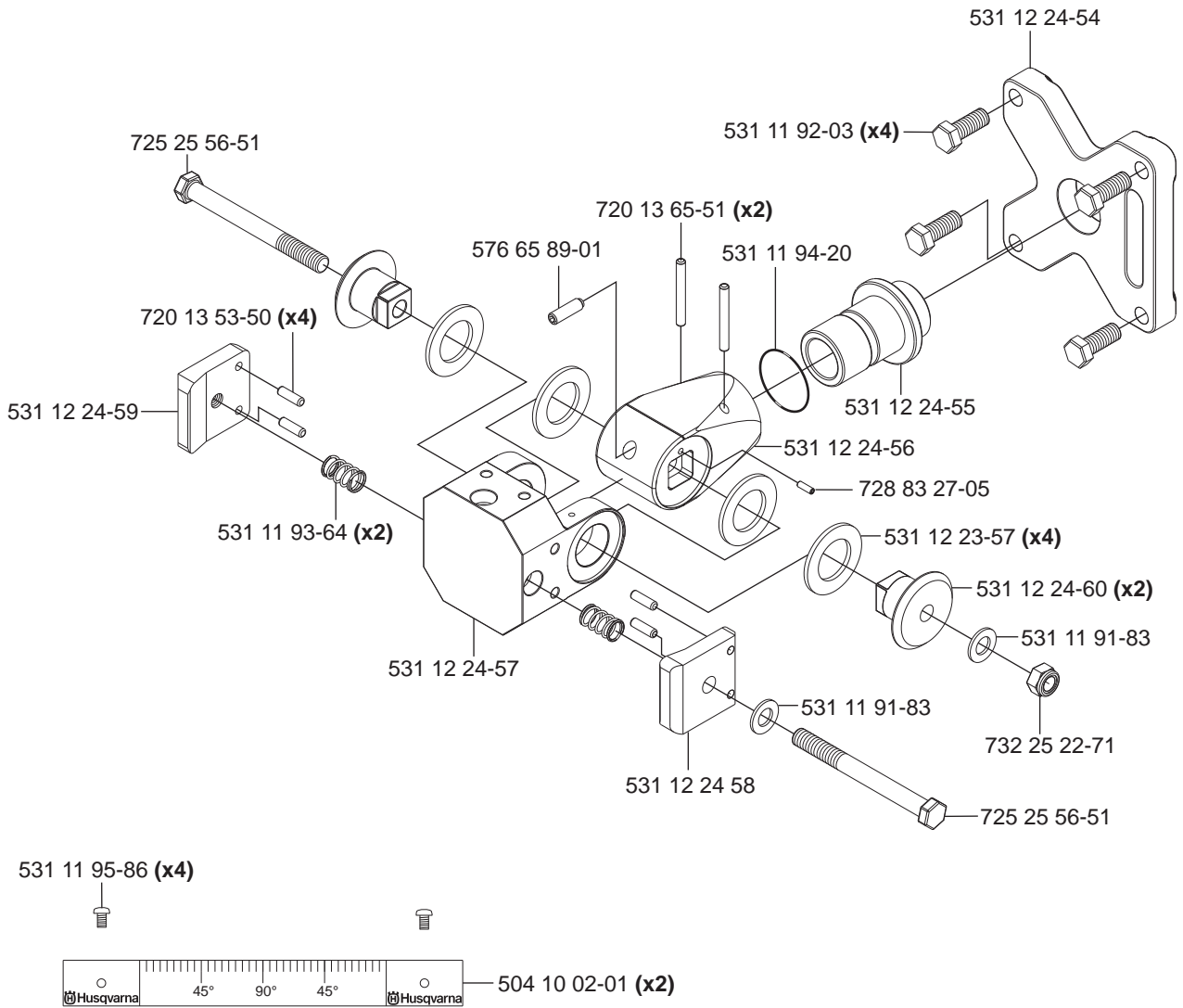
2.2m 531 11 30-47



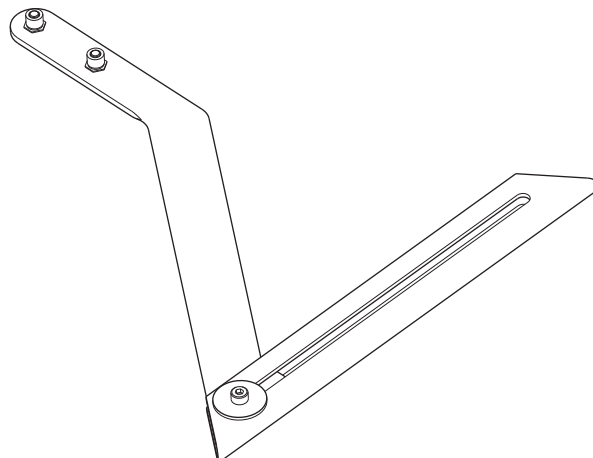
**J****WS 440 HF**

Tillbehör  
 Accessories  
 Zubehöre  
 Accessoires  
 Accesorios

**Mounting bracket Universal**  
 compl. 531 11 32-00



**Measure rod complete 531 11 32-65**

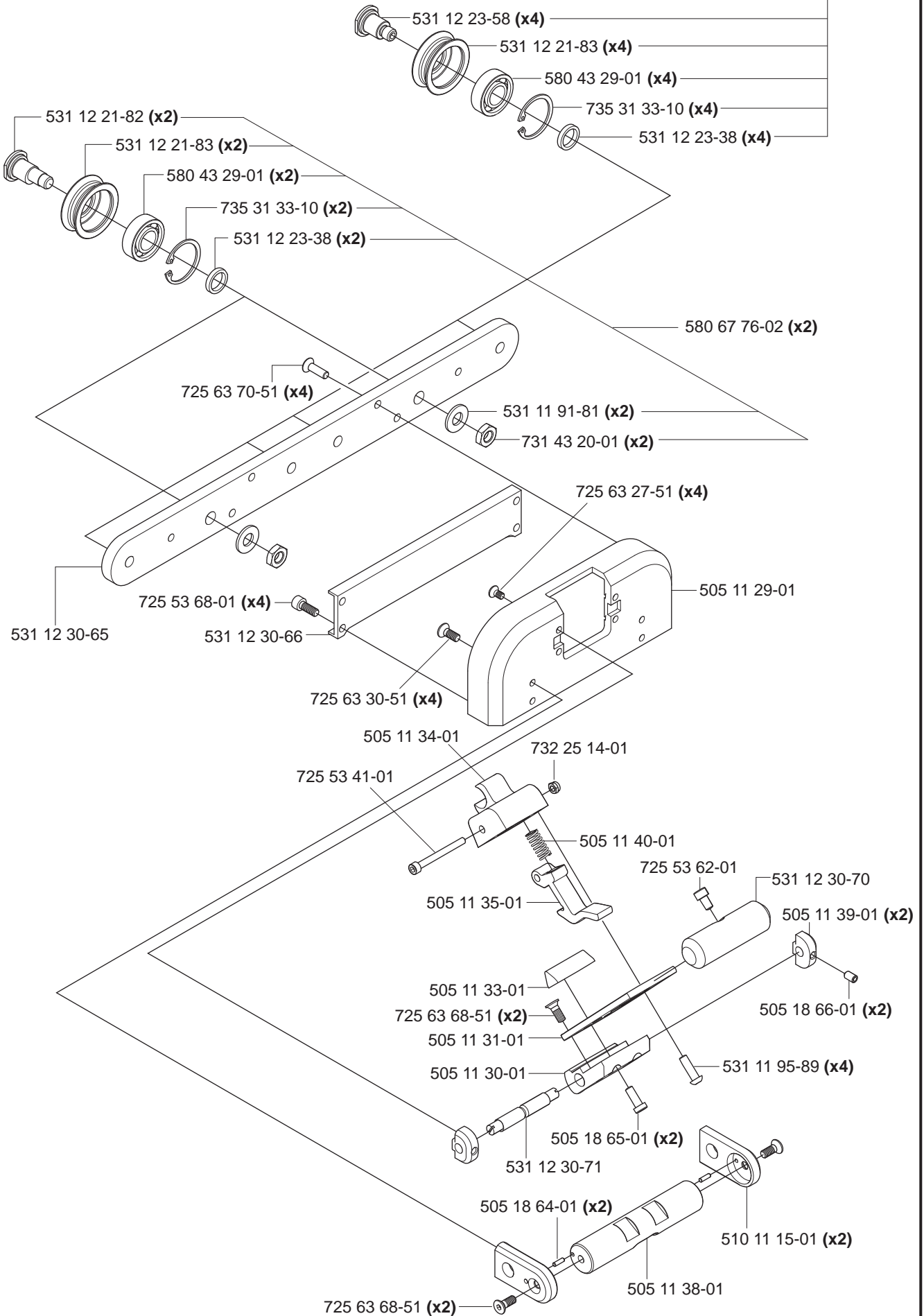


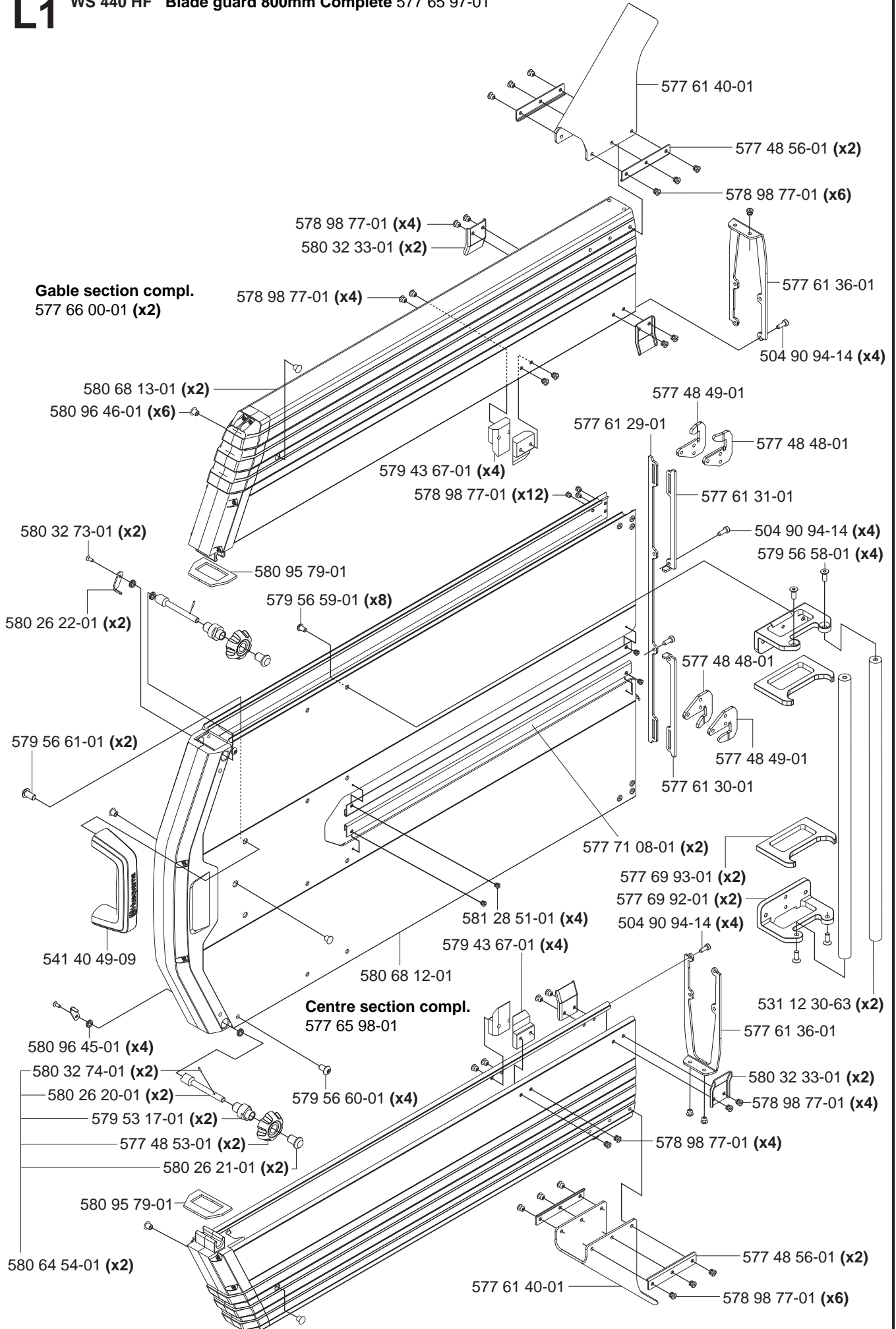
**K**

WS 440 HF

Blade guard guide Complete 580 67 77-01

580 67 76-01 (x4)



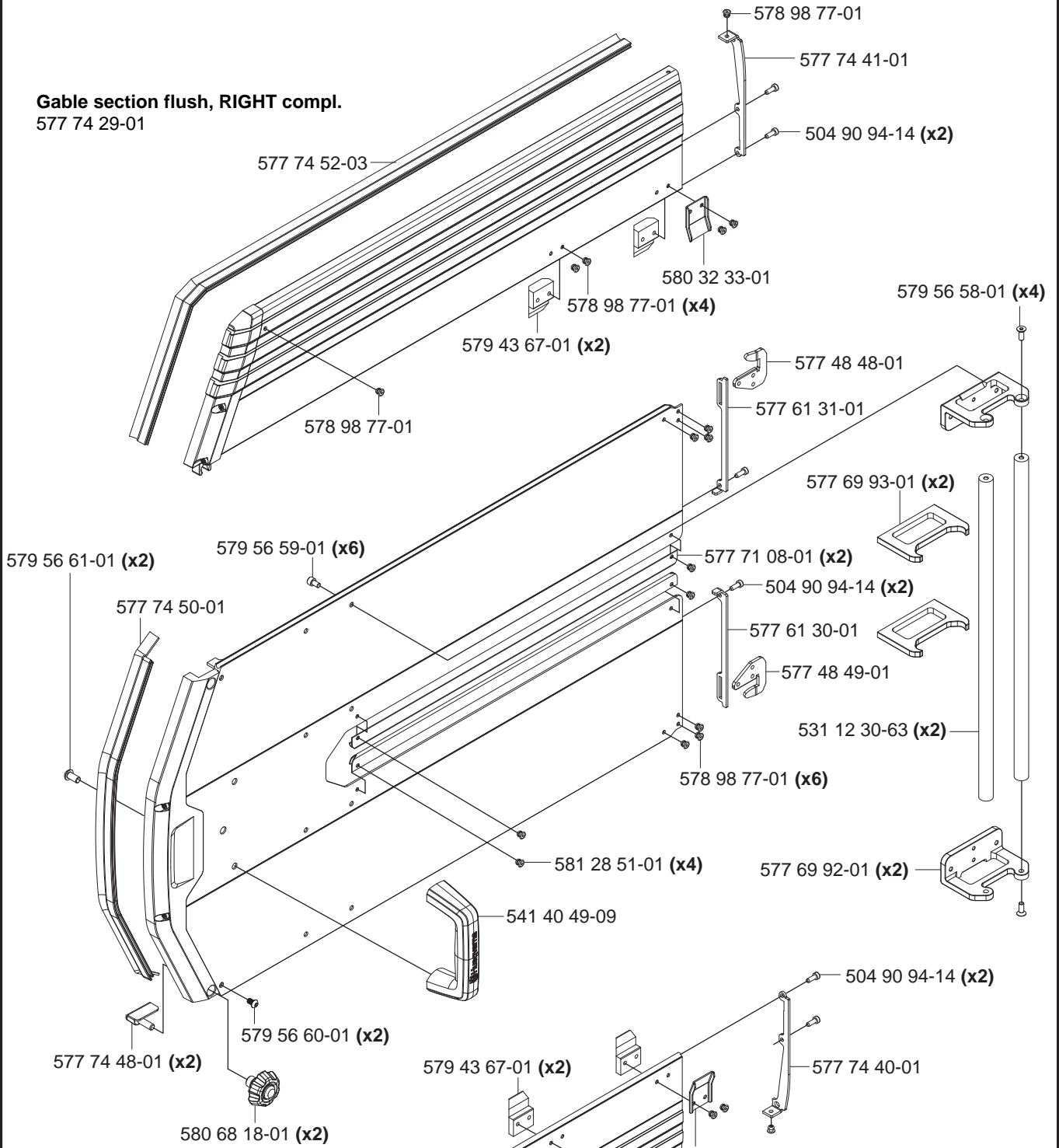
**L1****WS 440 HF Blade guard 800mm Complete 577 65 97-01**



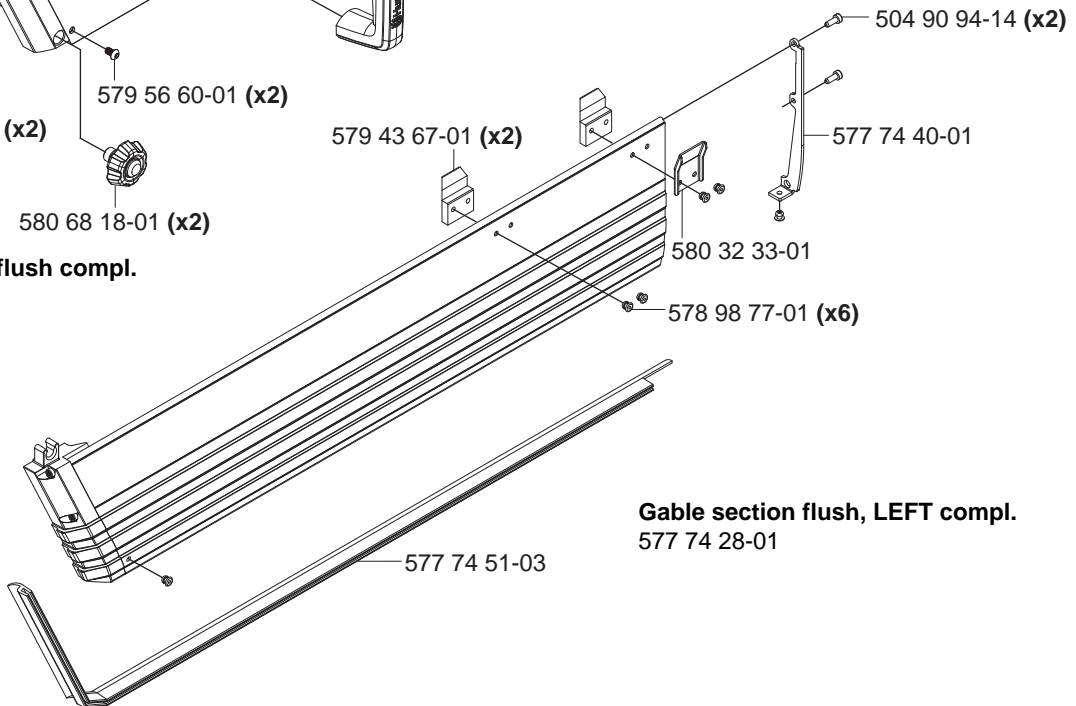
# L2

WS 440 HF Flush blade guard 800mm complete 577 74 23-01

**Gable section flush, RIGHT compl.**  
577 74 29-01



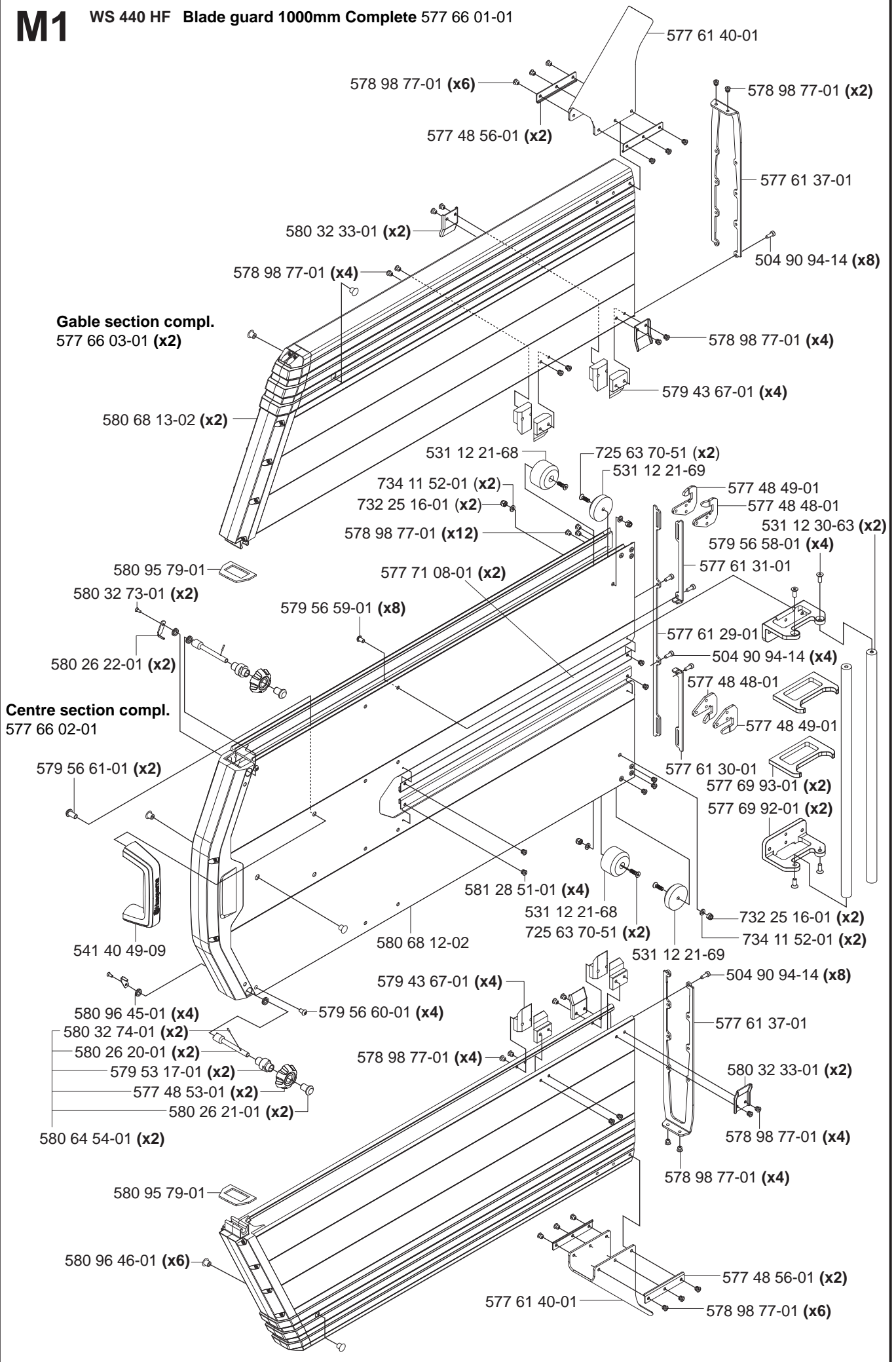
**Centre section flush compl.**  
577 74 27-01



**Gable section flush, LEFT compl.**  
577 74 28-01

# M1

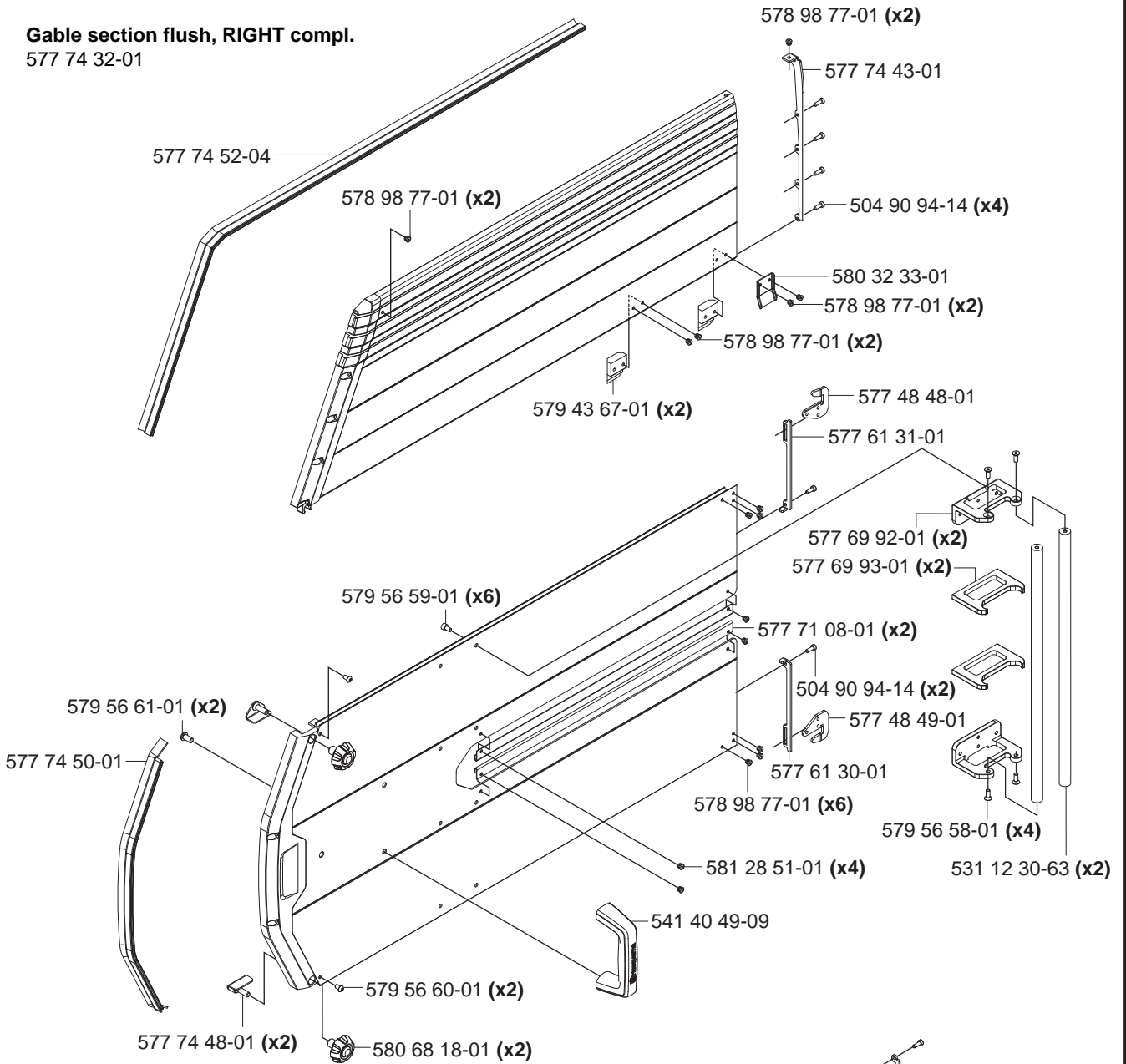
## WS 440 HF Blade guard 1000mm Complete 577 66 01-01



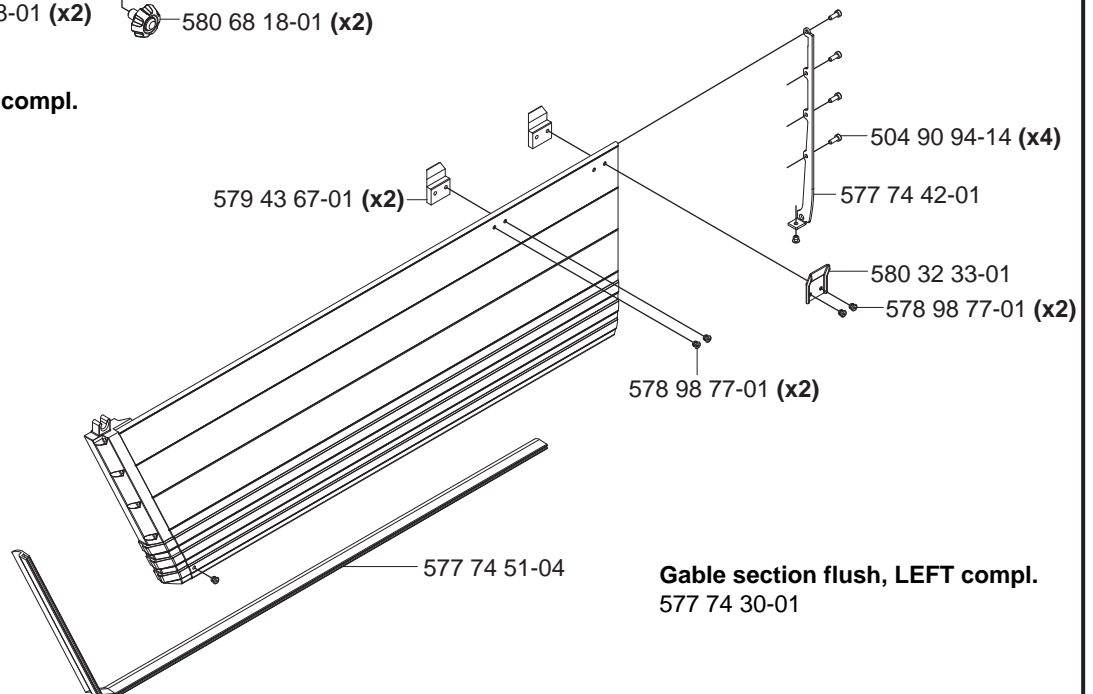
# M2

WS 440 HF Flush blade guard 1000mm complete 577 74 24-01

### Gable section flush, RIGHT compl. 577 74 32-01



### Centre section flush compl. 577 90 30-01



### Gable section flush, LEFT compl. 577 74 30-01

# N1

## WS 440 HF Blade guard 1200 mm 577 66 04-01

**Gable section right compl.**  
577 66 07-01

579 56 58-01 (x4)

577 61 40-01

577 48 56-01 (x2)

578 98 77-01 (x6)

578 98 77-01 (x8)

580 32 33-01 (x2)

577 44 55-01 (x4)

580 96 46-01 (x6)

579 56 62-01 (x4)

725 63 28-51 (x8)

580 68 76-01 (x4)

531 11 90-80 (x2)

580 68 13-03

579 52 07-01 (x2)

**Centre section compl.**  
577 66 05-01

579 56 59-01 (x4)

579 56 62-01 (x4)

580 32 73-01 (x2)

580 26 22-01 (x2)

579 56 58-01 (x4)

579 56 59-01 (x8)

579 56 58-01 (x4)

579 56 59-01 (x4)

580 96 45-01 (x4)

579 56 61-01 (x2)

577 69 93-01 (x2)

541 40 49-09

580 68 12-03

574 44 55-01 (x2)

531 12 30-63 (x2)

580 68 76-02 (x2)

580 32 74-01 (x2)

580 26 20-01 (x2)

579 53 17-01 (x2)

577 48 53-01 (x2)

580 26 21-01 (x2)

578 98 77-01 (x8)

580 32 33-01 (x2)

579 43 67-01 (x8)

579 56 59-01 (x4)

580 64 54-01

531 11 95-24

580 97 65-01

580 90 22-01

731 43 20-01 (x2)

531 11 95-46

531 12 31-69

**Gable section left compl.**  
577 66 09-01

577 61 40-01

577 69 92-01 (x4)

577 48 56-01 (x2)

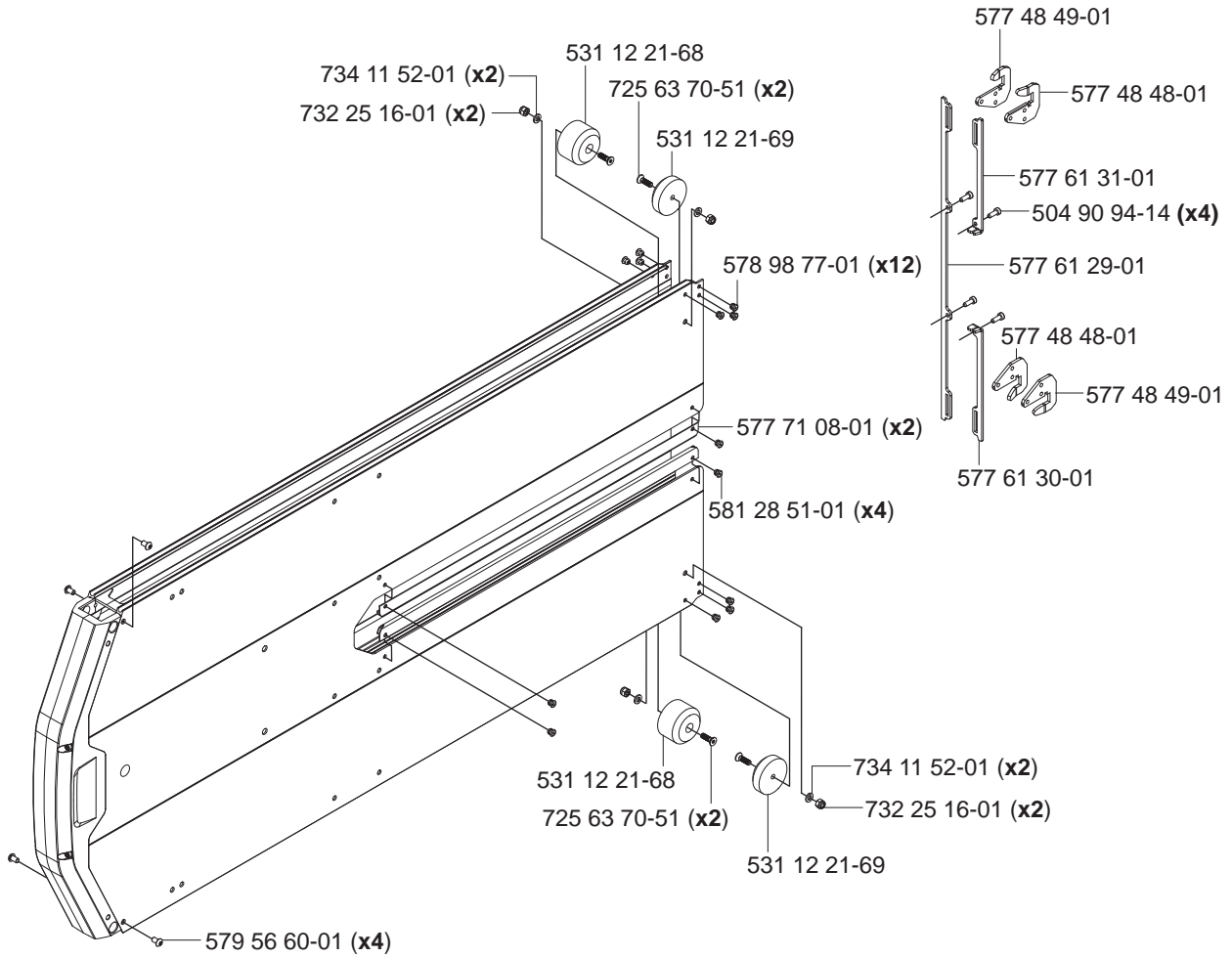
578 98 77-01 (x6)

581 00 61-01

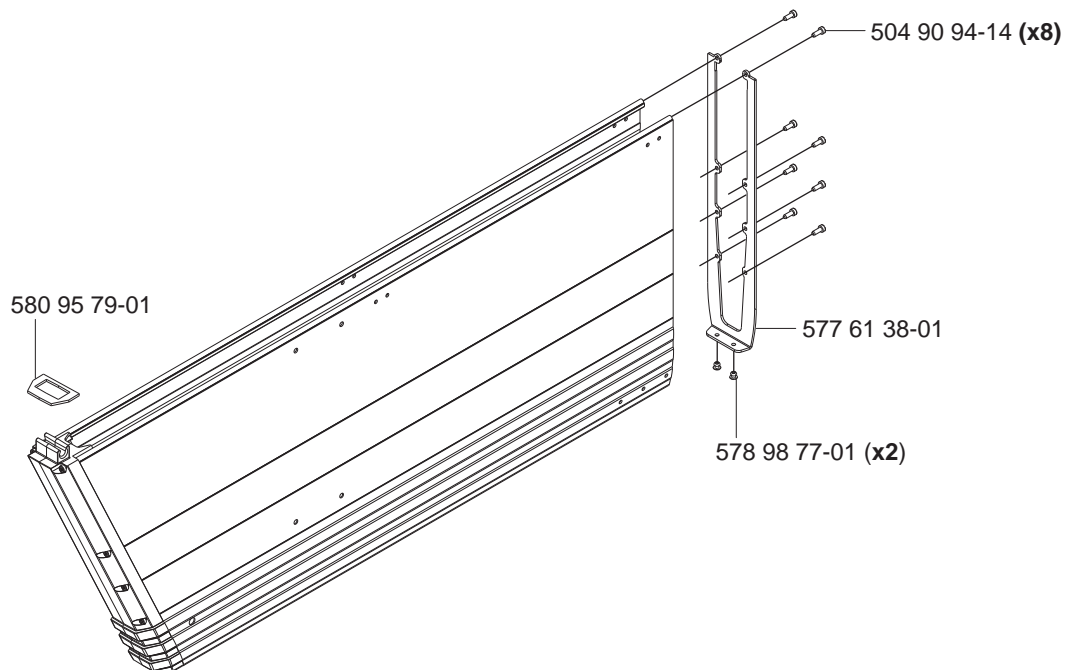
580 68 13-04

# N2

## WS 440 HF Blade guard centre section 1200 mm



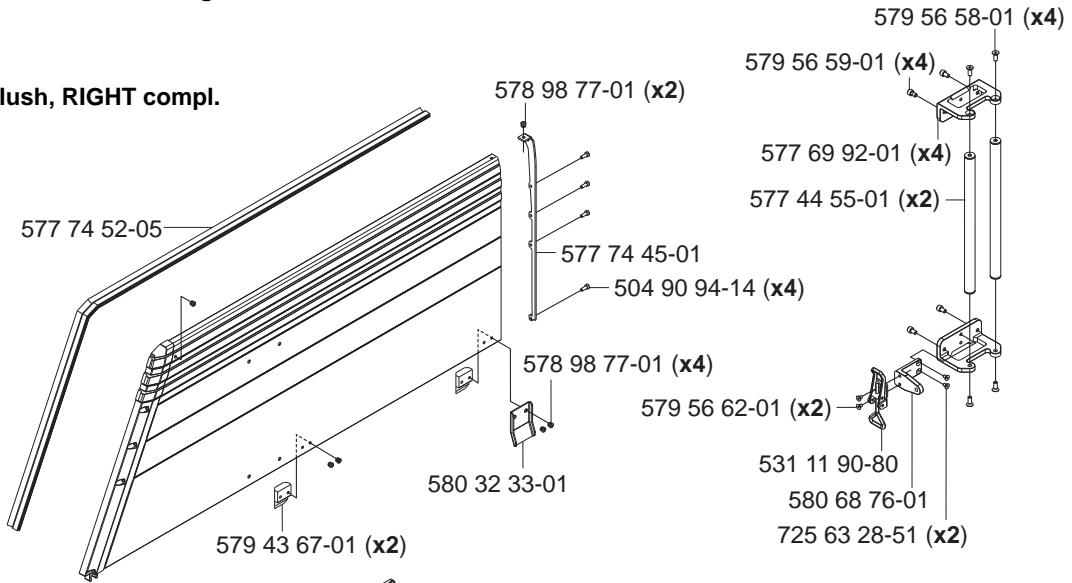
### Blade guard gable section 1200 mm



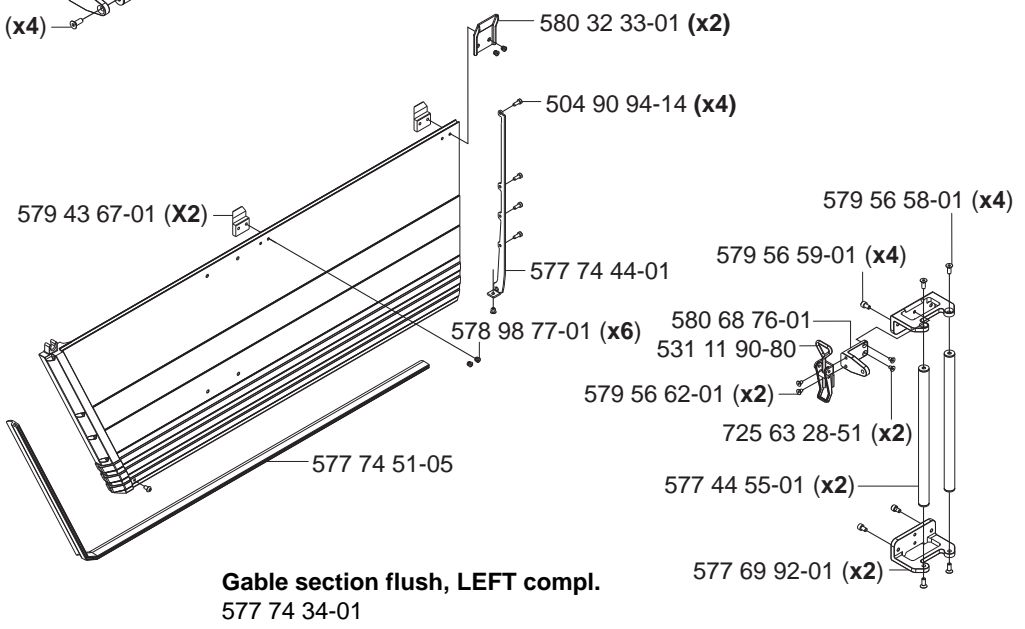
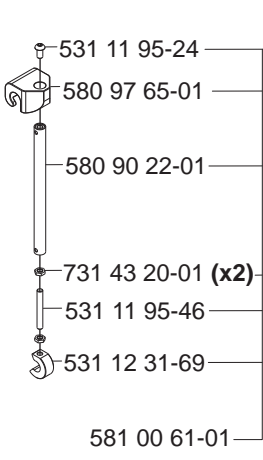
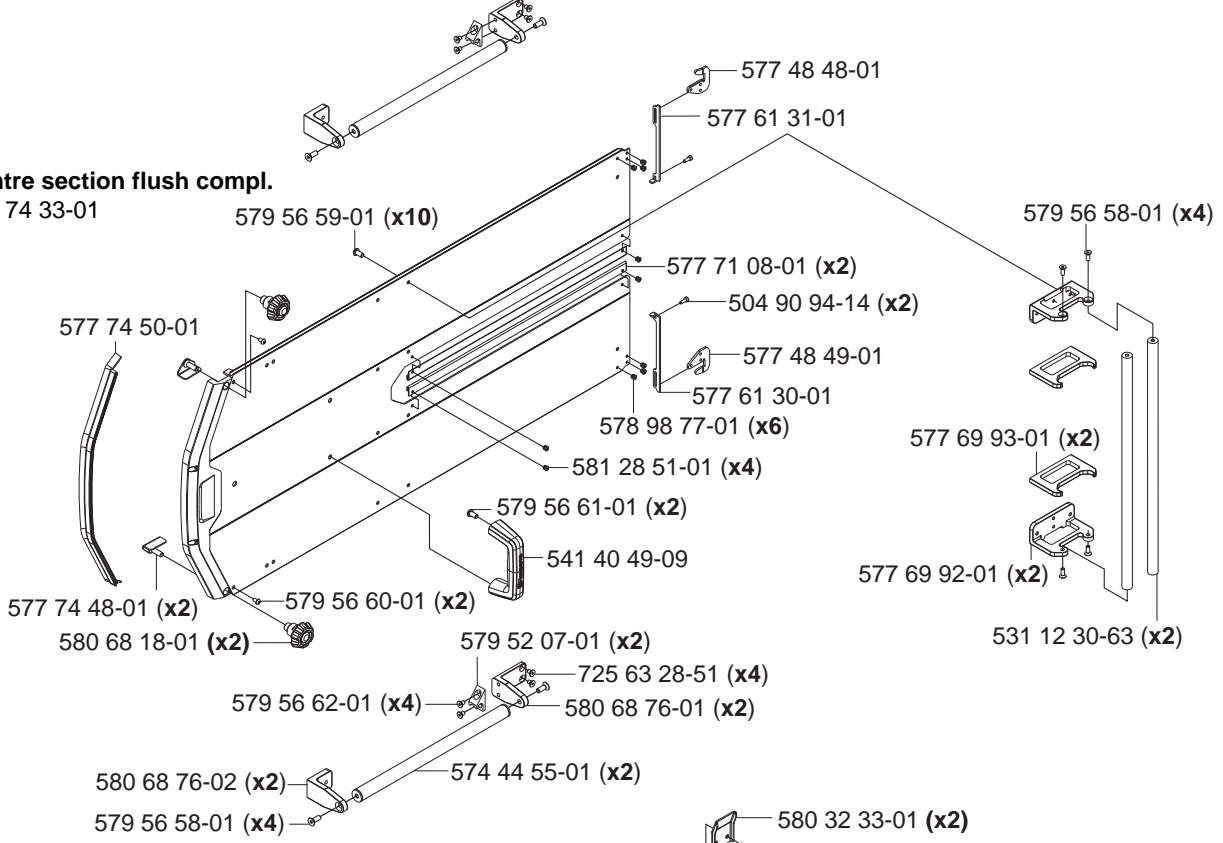
# N3

## WS 440 HF Flush blade guard 1200 mm 577 74 25-01

### Gable section flush, RIGHT compl. 577 41 35-01



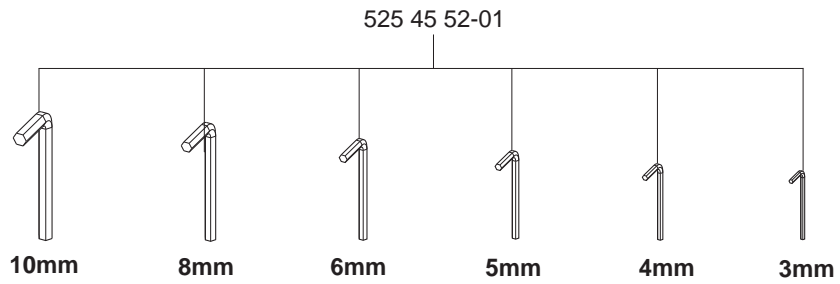
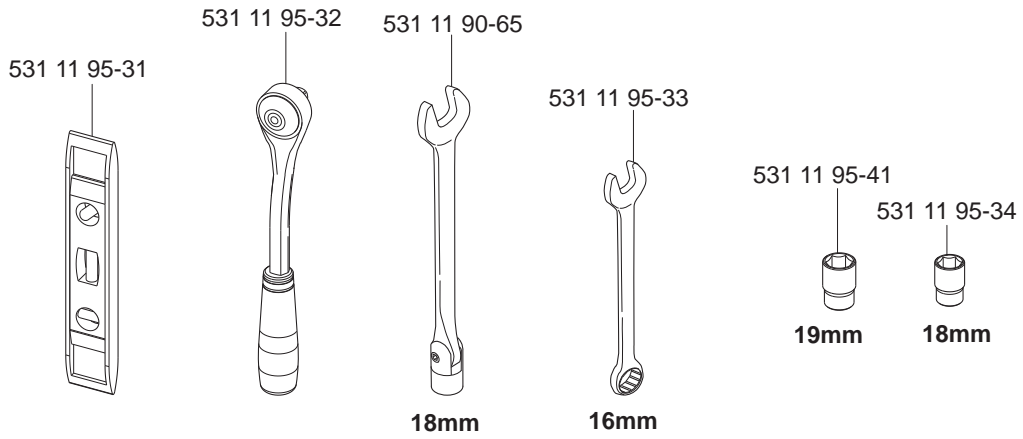
### Centre section flush compl. 577 74 33-01



**P**

WS 440 HF

Toolkit compl 501 37 52-01



522 82 77-01



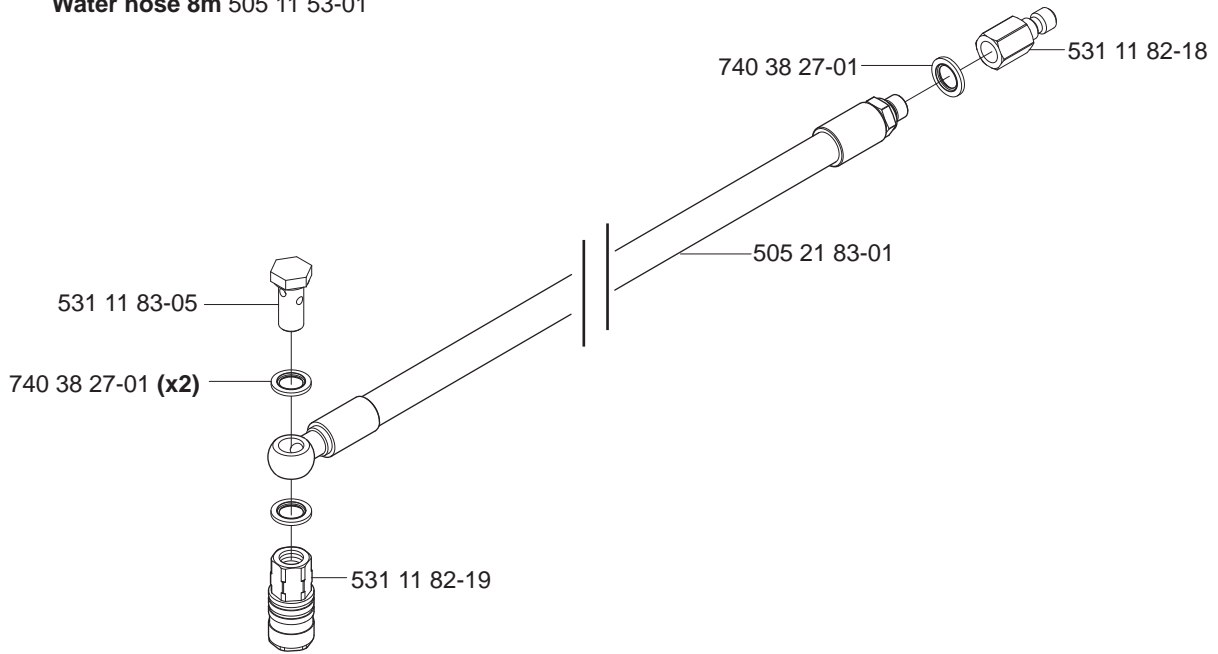
531 11 91-08



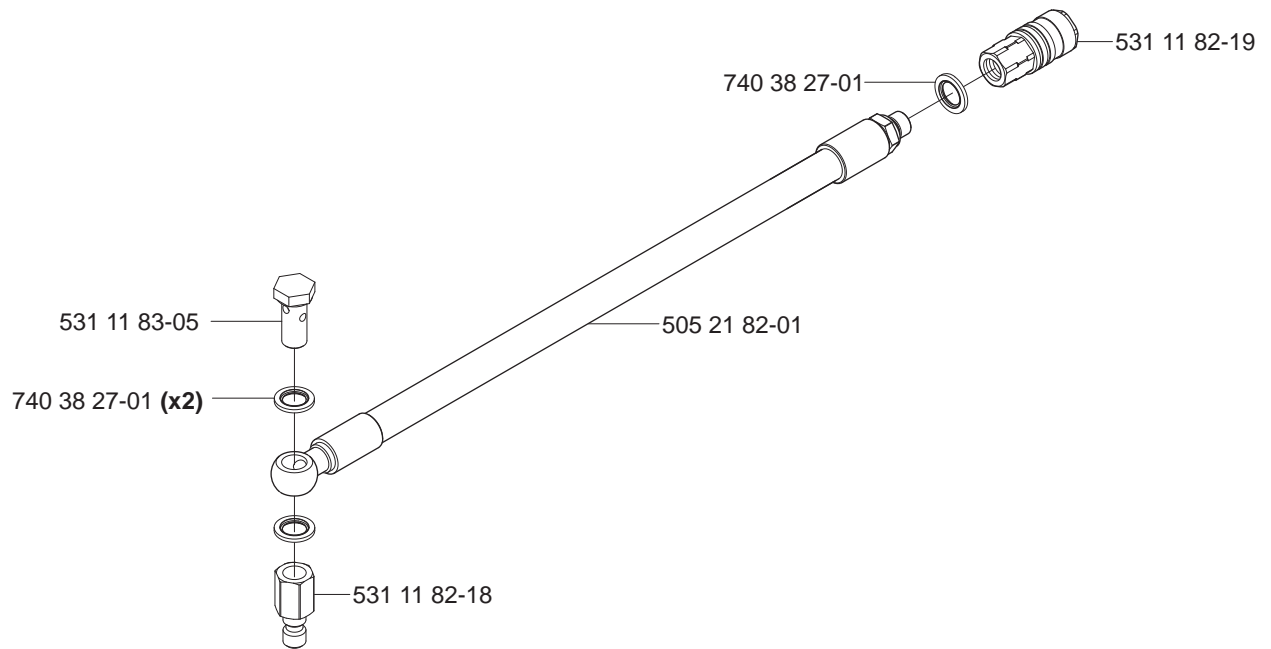
**Q**

**WS 440 HF**

**Water hose 8m 505 11 53-01**



**Water hose 1m 505 21 84-01**



**Cleaning brush complete 531 11 32-68**

